

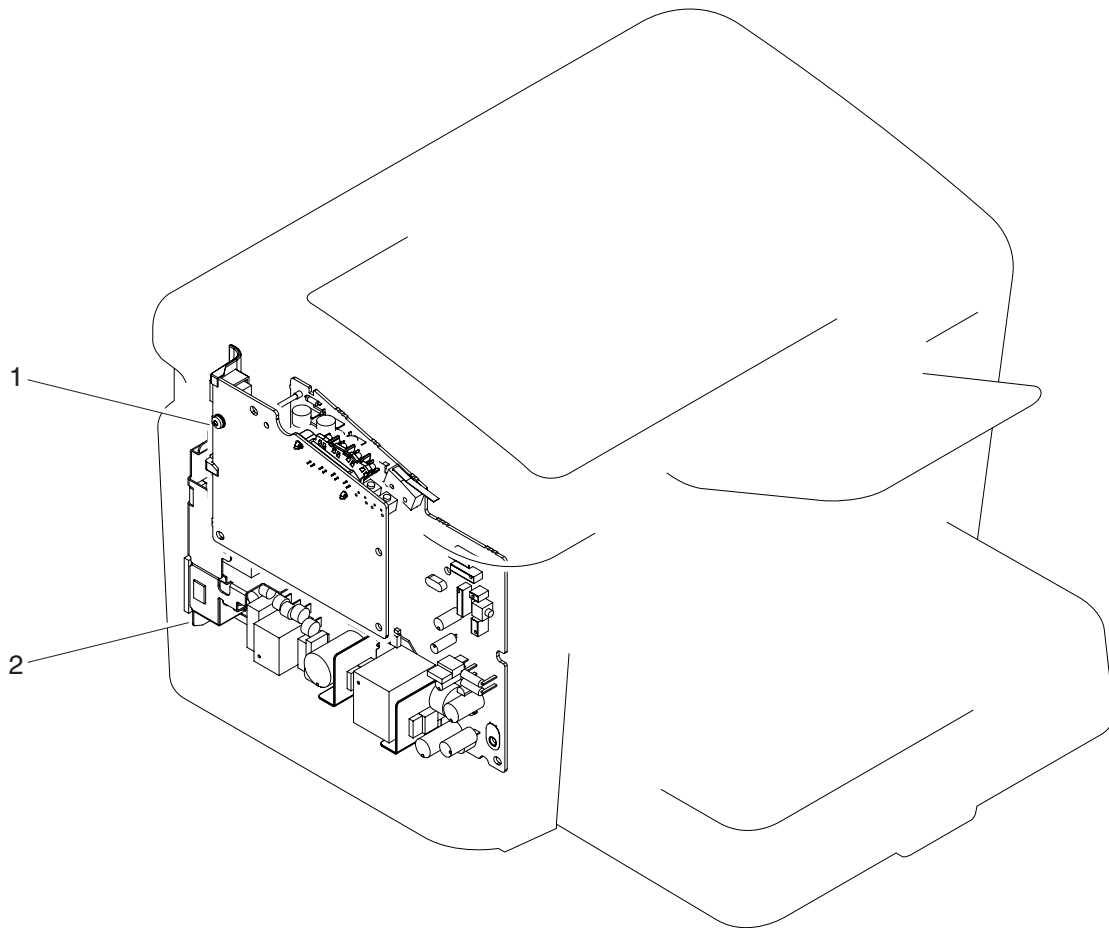
---

## 6 Parts and diagrams

- [Assembly locations](#)
- [Covers](#)
- [Internal assemblies](#)
- [Alphabetical parts list](#)
- [Numerical parts list](#)

# Assembly locations

Figure 6-1 Assembly locations (1 of 1)

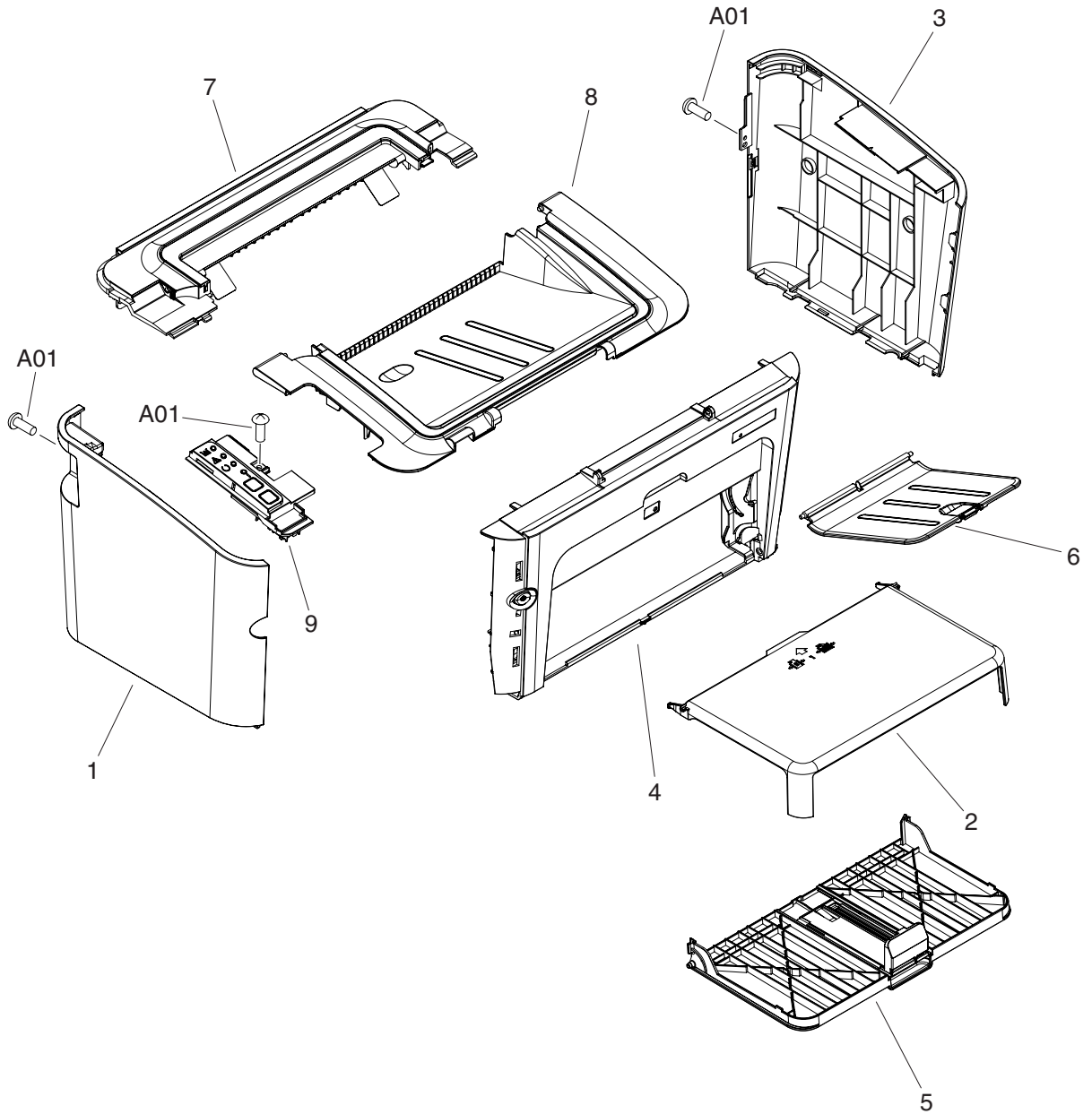


**Table 6-1**

<b>Ref</b>	<b>Description</b>	<b>Part number</b>	<b>Qty</b>
1	Formatter PCB assembly	RM1-4216-000	1
1	Formatter PCB assembly	RM1-4217-000	1
2	Engine control PCB assembly	RM1-4627-000	1
2	Engine control PCB assembly	RM1-4628-000	1

# Covers

Figure 6-2 HP LaserJet P1500 Series covers

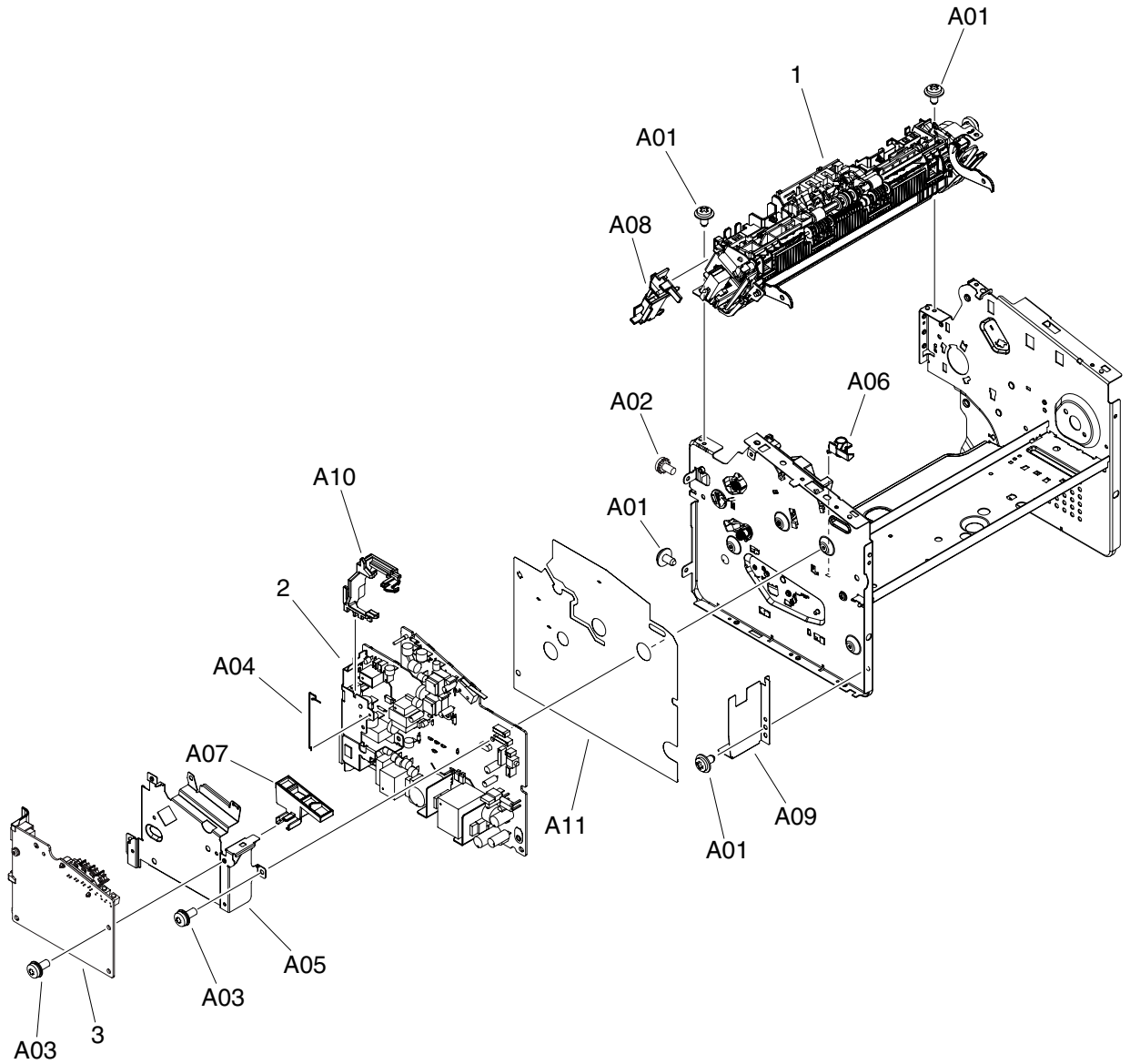


**Table 6-2 HP LaserJet P1500 Series covers**

Ref	Description	Part number	Qty
1	Left cover	RC2-1401-000	1
2	Dust cover	RC2-1405-000	1
3	Right cover	RC2-1400-000	1
4	Front cover assembly	RL1-1506-000	1
5	Paper pick-up tray assembly	RM1-4191-000	1
6	Paper delivery tray assembly	RM1-4192-000	1
7	Face-down cover assembly	RM1-4193-000	1
8	Cartridge door assembly	RM1-4194-000	1
9	Control panel assembly	RM1-4195-000	1
A01	Screw, RS, M3X8	XA9-1504-000	3

# Internal assemblies

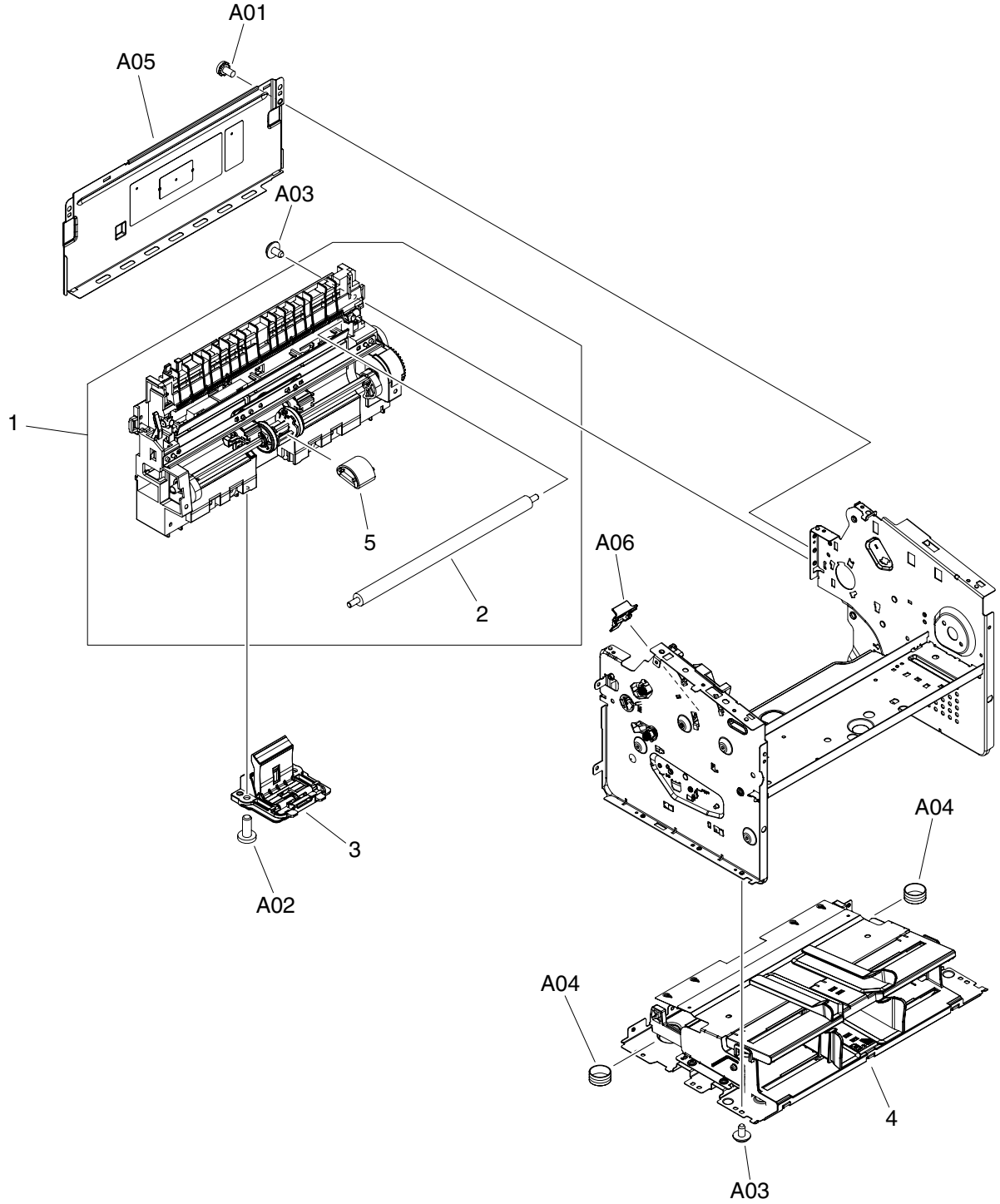
Figure 6-3 Internal components (1 of 3)



**Table 6-3 Internal components (1 of 3)**

Ref	Description	Part number	Qty
1	Fusing assembly	RM1-4208-000	1
1	Fusing assembly	RM1-4209-000	1
2	Engine control PCB assembly	RM1-4627-000	1
2	Engine control PCB assembly	RM1-4628-000	1
3	Formatter PCB assembly	RM1-4216-000	1
3	Formatter PCB assembly	RM1-4217-000	1
A01	Screw, D, M3X6	XA9-1670-000	5
A02	Screw, w/washer, M3X6	XB2-7300-605	1
A03	Screw, w/washer, M3X8	XA9-1420-000	10
A04	Cable contact	RU5-2953-000	1
A05	Formatter crossmember	RC2-1513-000	1
A05	Formatter crossmember	RC2-1377-000	1
A06	Tag cable guide	RC2-1189-000	1
A07	Dust cover	RC2-1495-000	1
A08	Cable guide	RC2-1511-000	1
A09	PCB plate	RC2-1503-000	1
A10	Cable guide	RC2-1375-000	1
A11	Insulating sheet	RC2-1376-000	1

Figure 6-4 Internal components (2 of 3)

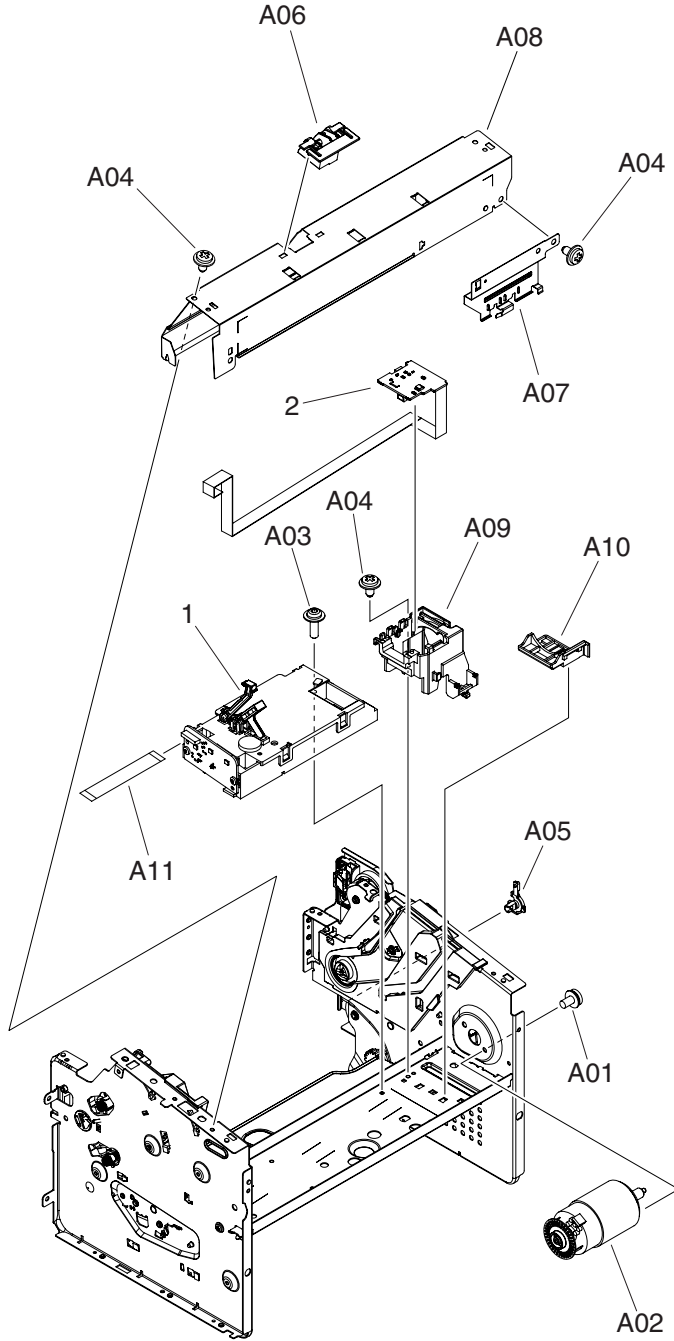




**Table 6-4 Internal components (2 of 3)**

Ref	Description	Part number	Qty
1	Paper pick-up assembly	RM1-4204-000	1
2	Transfer roller	RC2-1483-000	1
3	Separation pad assembly	RM1-4207-000	1
4	Base plate assembly	RM1-4199-000	1
5	Pick-up roller	RL1-1497-000	1
A01	Screw, w/washer, M3X6	XB2-7300-605	1
A02	Screw, Tap, M4X10	XB4-5401-009	2
A03	Screw, D, M3X6	XA9-1670-000	12
A04	Compression spring	RU5-2972-000	2
A05	Rear panel	RC2-1435-000	1
A06	Tag cover	RC2-1205-000	1

Figure 6-5 Internal components (3 of 3)



**Table 6-5 Internal components (3 of 3)**

Ref	Description	Part number	Qty
1	Laser scanner assembly	RM1-4184-000	1
2	Motor control PCB assembly	RM1-4635-000	1
A01	Screw, RS, M3X6	XB2-8300-609	2
A02	DC24V motor	RM1-4196-000	1
A03	Screw, RS, M3X10	XA9-1501-000	4
A04	Screw, D, M3X6	XA9-1670-000	5
A05	Shaft support	RC2-1236-000	1
A06	Door hook	RC2-1463-000	1
A07	RFI plate	RC2-1527-000	1
A08	Scanner cover	RC2-1381-000	1
A09	Motor crossmember	RC2-1505-000	1
A10	Motor crossmember	RC2-1223-000	1
A11	Flat cable	RK2-1757-000	1